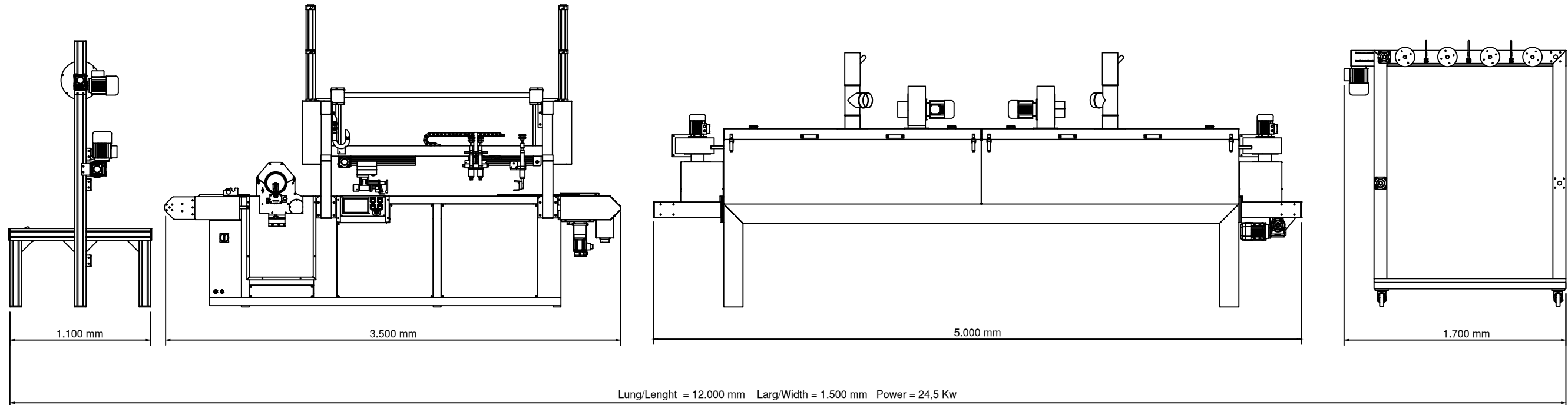


INT-01 NFS - 1 KW

GA1+1: LC: (800X1000 MM + 800 MM CYLINDER) - 3 KW

DELTA 4000X1050 MM - 20 KW

EXT-01 NFS 0.5 KW



INT-01 NFS + GA1+1: LC: (800X1000 MM + 800 MM CYLINDER) + DELTA 4000x1050 + EXT-01 NFS