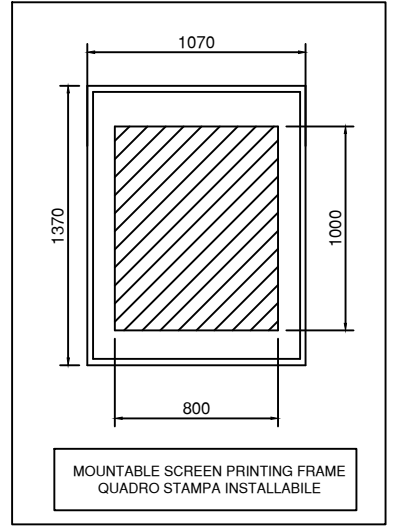
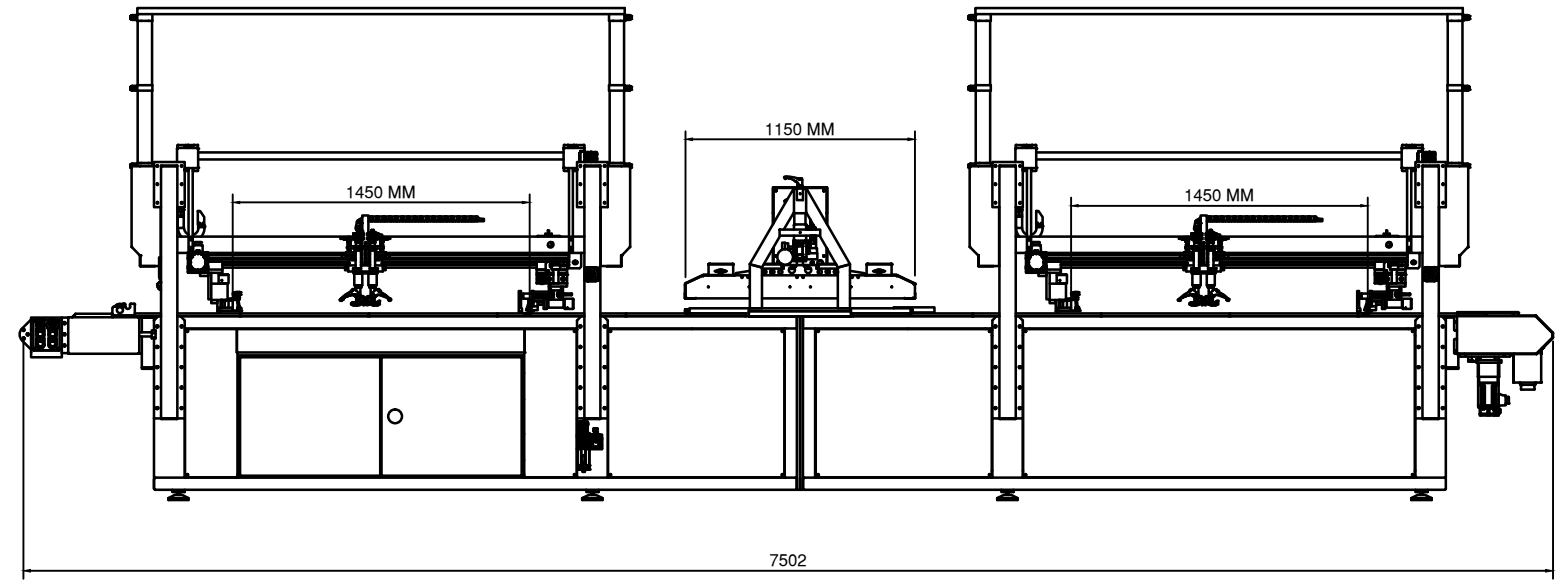
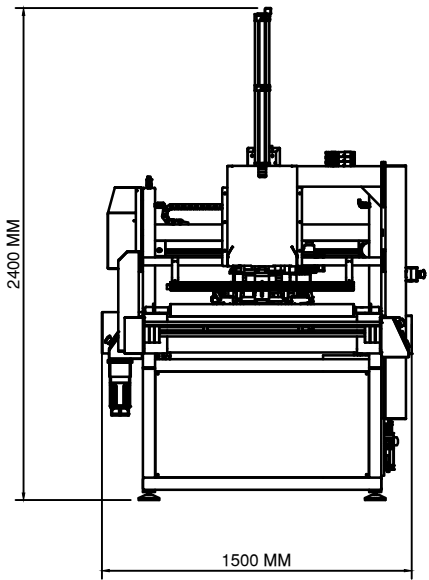


UNITA' DI STAMPA N°1  
 FORMATO STAMPA 800X1000 MM  
 PRINTING UNIT N°1  
 PRINTING SIZE 800X1000 MM

CAPPA IR100, LARGHEZZA 1000 MM  
 FLASH CURE SIZE 1000 MM

UNITA' DI STAMPA N°1  
 FORMATO STAMPA 800X1000 MM  
 PRINTING UNIT N°1  
 PRINTING SIZE 800X1000 MM



LC-2 FORMATO STAMPA 800X1000 MM + CAPPA IR 1000 MM ASCIUGATURA  
 LC-2 PRINTING SIZE 800X1000 MM + FLASH CURE UNIT IR 1000 MM