

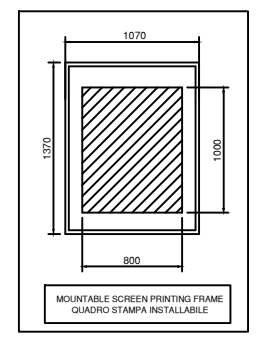
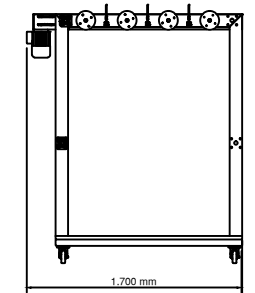
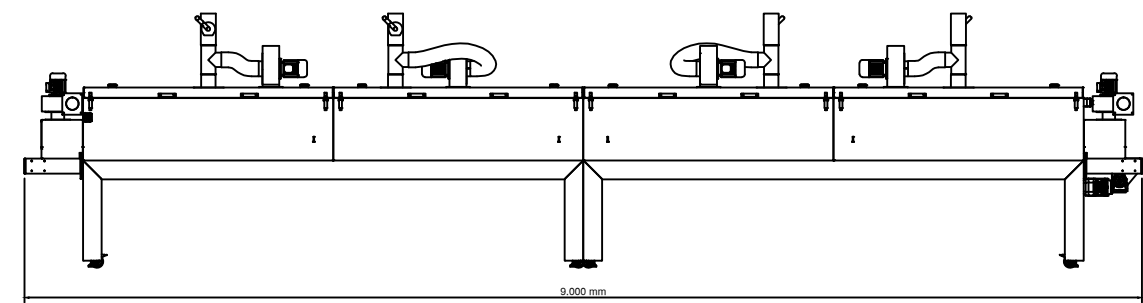
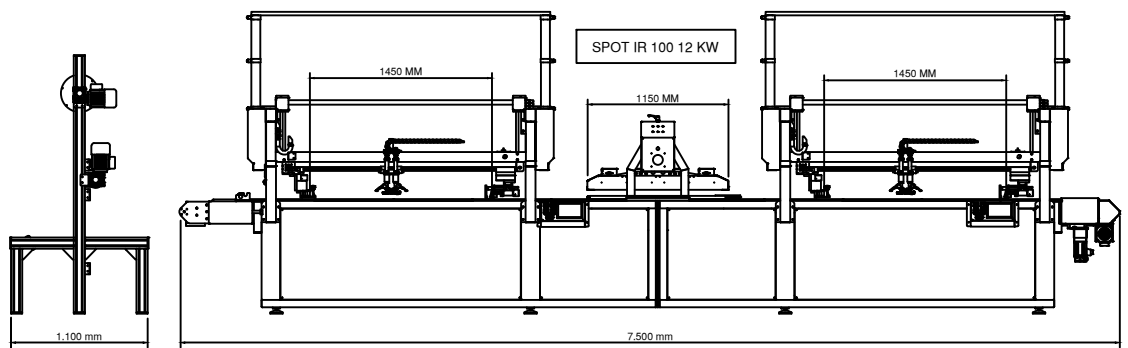
INT-01 NFS - 1 KW

LC-2 FORMATO STAMPA 80X100 - 4 KW
 LC-2 PRINTING SIZE 80X100 - 4 KW

FORNO DELTA 8000X1050 MM - 30 KW
 DELTA DRYER SIZE 8000X1050 MM - 30 KW

EXT-01 NFS 0.5 KW

SPOT IR 100 12 KW



Lung/Length = 20.000 mm Larg/Width = 1.500 mm Power = 47 Kw

INT-01 NFS + LC-2 FORMATO STAMPA 800X1000 MM + FORNO DELTA 8000x1050 + EXT-01 NFS
 INT-01 NFS + LC-2 PRINTING SIZE 800X1000 MM + DELTA DRYER 8000X1050 + EXT-01 NFS