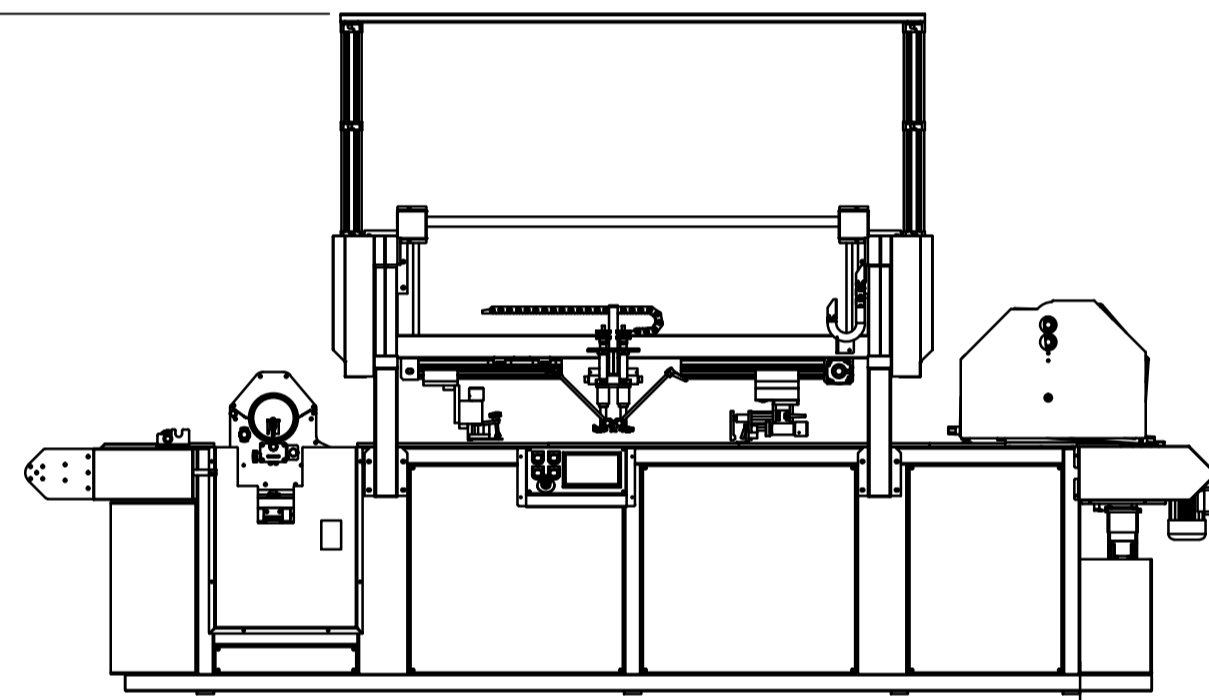
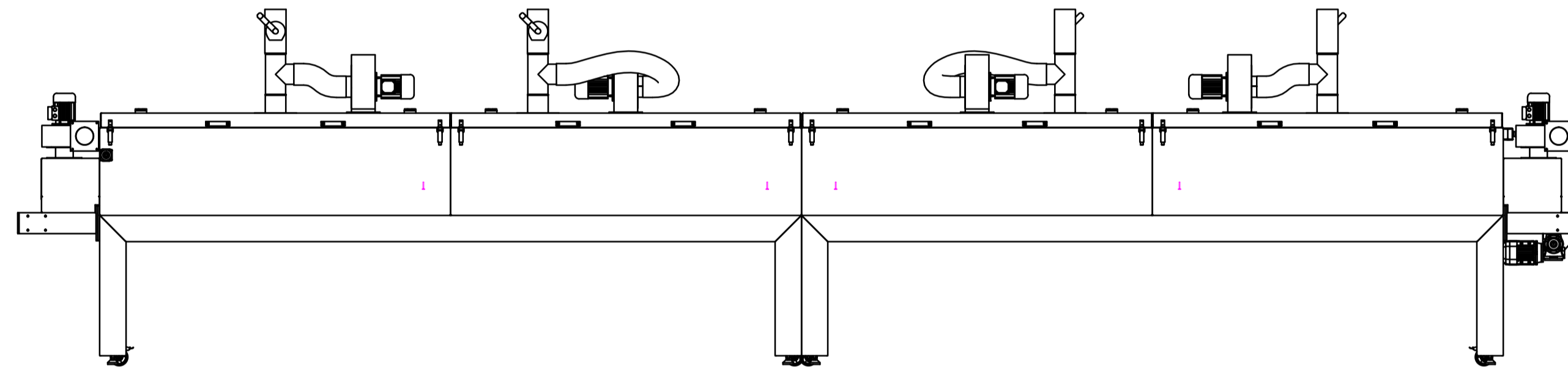


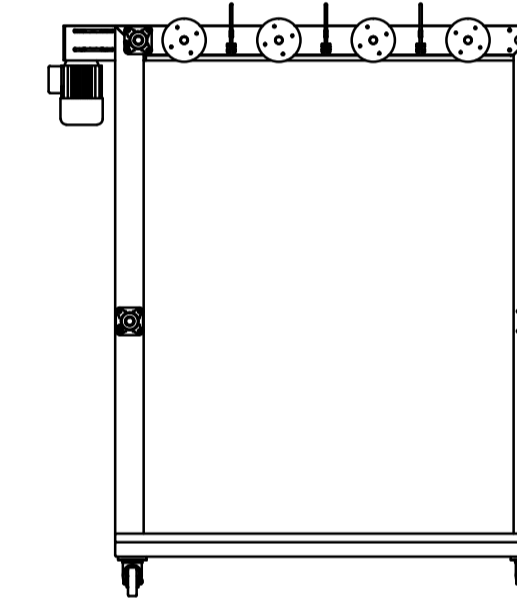
INT-01
INTRODUCTION FOR
NARROW FABRIC
400 MM



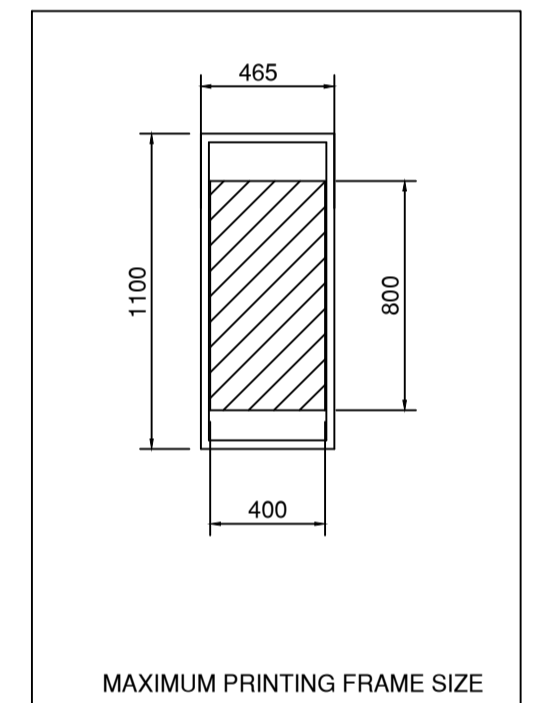
COMPOSED LINE:
ROTOSCREEN 400 + LC-1 PRINTING SIZE 400X800 MM + US-001 (SILICONE NOZZLE X 2)



DELTA IR DRYER 8000 X 550 MM



EXT-01 TO BOX, 4 ASP,
400 MM



MAXIMUM PRINTING FRAME SIZE

17267

INT-01 + COMPOSED LINE (ROTOSCREEN 400 + LC-1 400X500 + US-01 SILICONE NOZZLE) + DELTA DRYER 8000X550 + EXT-01